

CITY OF MEDFORD  
 Sam Barnum  
**APPROVED**  
 03/29/18

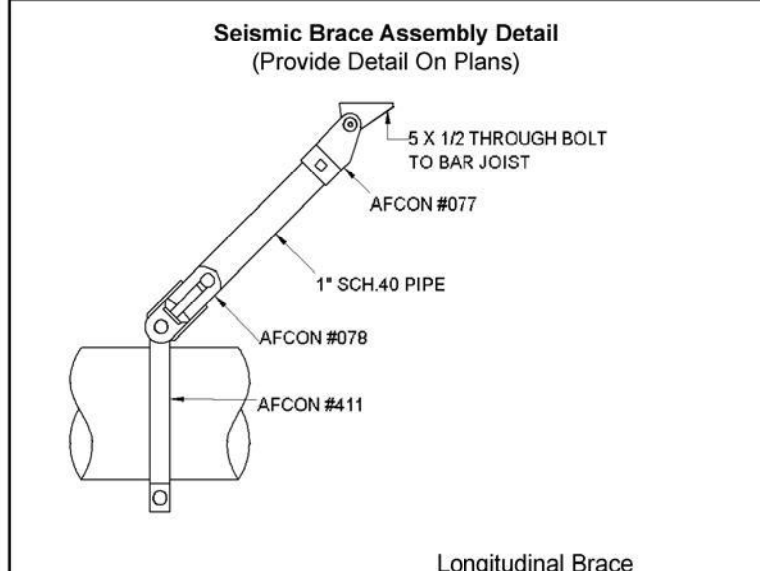
## Seismic Bracing Calculations

Project: <u>ASHLEY HOMESTORE / HOBBY LOBBY</u>	Contractor: _____
Address: <u>3639 CRATER LAKE HWY</u>	Address: _____
<u>MEDFORD, OREGON 97504</u>	Phone: _____
_____	FAX: _____

Brace Information	
Length of Brace:	4'-6"
Diameter of Brace:	1
Type of Brace:	Pipe, Schedule 40
Angle of Brace:	44
Least Radius of Gyration:*	0.42"
L/R Value:*	129
Maximum Horizontal Load:	926lb

Seismic Brace Attachments	
Structure Attachment Fitting or Tension-only Bracing System	
Make: <u>Afcon</u>	Model: <u>(#077) Locking Attachment End</u>
Listed Load Rating: <u>2015lb</u>	Adjusted Load Rating: <u>1007½lb</u>
Sway Brace (pipe attachment) Fitting	
Make: <u>Afcon</u>	Model: <u>(#410) Sway Brace Clamp</u>
Listed Load Rating: <u>2015lb</u>	Adjusted Load Rating: <u>1007½lb</u>

Fastener Information	
Orientation of Connecting Surface:	NFPA Type "A"
Fastener	
Construction Type:	Steel
Type:	Machine (Hex) Bolt
Size:	½ x 5
Maximum Load:	1600lb



**Sprinkler System Load Calculation (Fpw = CpWp)**  
 Cp = 0.35

Diameter	Description	Unit Quantity	Quantity	Unit Weight	Weight (Wp)
6	Pipe, Schedule 10	4'-10½"+16'-6½"	21'-5"	23lb	493lb
<b>Subtotal Weight (Wp)</b>					493lb
<b>Wp x 1.150000</b>					567lb
<b>Total Load (Fpw)</b>					198½lb

**Scott R. Creighton**  
 REGISTERED PROFESSIONAL ENGINEER  
 11959PE  
 OREGON  
 FEBRUARY 3, 1983  
 SCOTT ROSS CREIGHTON

EXPIRES: 12/31/19

CITY OF MEDFORD  
**APPROVED**  
 Sam Barnum  
 03/29/18

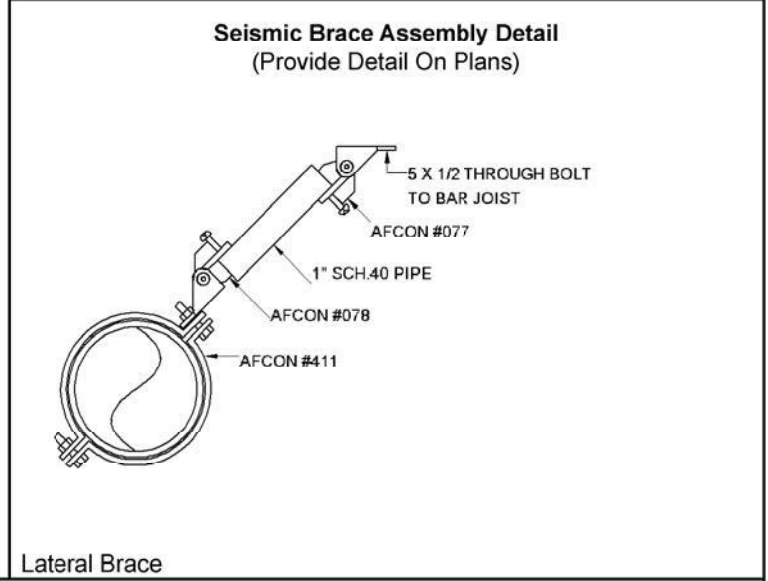
## Seismic Bracing Calculations

Project: <u>ASHLEY HOMESTORE / HOBBY LOBBY</u>	Contractor: _____
Address: <u>3639 CRATER LAKE HWY</u>	Address: _____
<u>MEDFORD, OREGON 97504</u>	_____
_____	Phone: _____
_____	FAX: _____

Brace Information	
Length of Brace:	4'-6"
Diameter of Brace:	1
Type of Brace:	Pipe, Schedule 40
Angle of Brace:	44
Least Radius of Gyration:*	0.42"
L/R Value:*	129
Maximum Horizontal Load:	926lb

Seismic Brace Attachments	
Structure Attachment Fitting or Tension-only Bracing System	
Make: <u>Afcon</u>	Model: <u>(#077) Locking Attachment End</u>
Listed Load Rating: <u>2015lb</u>	Adjusted Load Rating: <u>1007½lb</u>
Sway Brace (pipe attachment) Fitting	
Make: <u>Afcon</u>	Model: <u>(#410) Sway Brace Clamp</u>
Listed Load Rating: <u>2015lb</u>	Adjusted Load Rating: <u>1007½lb</u>

Fastener Information	
Orientation of Connecting Surface:	NFPA Type "A"
Fastener	
Construction Type:	Steel
Type:	Machine (Hex) Bolt
Size:	½ x 5
Maximum Load:	1600lb



**Sprinkler System Load Calculation (Fpw = CpWp)**  
 Cp = 0.35

Diameter	Description	Unit Quantity	Quantity	Unit Weight	Weight (Wp)
6	Pipe, Schedule 10	4'-10½"+16'-6½"	21'-5"	23lb	493lb
<b>Subtotal Weight (Wp)</b>					493lb
<b>Wp x 1.150000</b>					567lb
<b>Total Load (Fpw)</b>					198½lb