

SPECIFICATIONS

CONSTRUCTION:
 WALL: 4" WOOD-FRAME, POLYURETHANE, F-I-P (R-29)
 CEILING: 4" WOOD-FRAME, POLYURETHANE, F-I-P (R-29)

FINISH:
 WALL: 26GA. STUCCO-GALVALUM INTERIOR
 26GA. STUCCO-BLACK EXTERIOR WHERE INDICATED
 26GA. STUCCO-GALVALUM BALANCE OF EXTERIOR
 CEILING: 26GA. STUCCO-WHITE INTERIOR
 26GA. STUCCO-GALVALUM EXTERIOR

ACCESSORIES:
 1 EA. - 60" X 84" JAMISON RETAIL PRO MANUAL SHS COOLER DOOR
 16GA. GALV. JAMB
 48"H .100" DT/ALUM. KICKPLATE INT. & EXT.
 10EA. - 28" X 79" ANTHONY #10INT. COOLER R/I DOOR
 1 EA. - 2" DIAL THERMOMETER
 1 EA. - 60" X 84" (6" STRIPS) PLASTIC CURTAIN
 3 EA. - DO NOT WALK STICKER
 1 LOT. - STRUCTURAL STEEL SUPPORT - BEAM AND POST
 1 LOT. - STRUCTURAL STEEL SUPPORT FOR COMPRESSOR RACK

NOTE:
 CAM LOCK CEILING
 THE CEILING IS DESIGNED FOR "NO STORAGE"
 OREGON STICKER
 * ANY FUTURE ROOF/CEILING LID MOUNTED
 EQUIPMENT NOT CURRENTLY SHOWN ON THE
 APPROVED SHOP DRAWINGS SHALL BE COORDINATED
 WITH THE ENGINEER OF RECORD PRIOR TO ANY INSTALLATION, TYP.

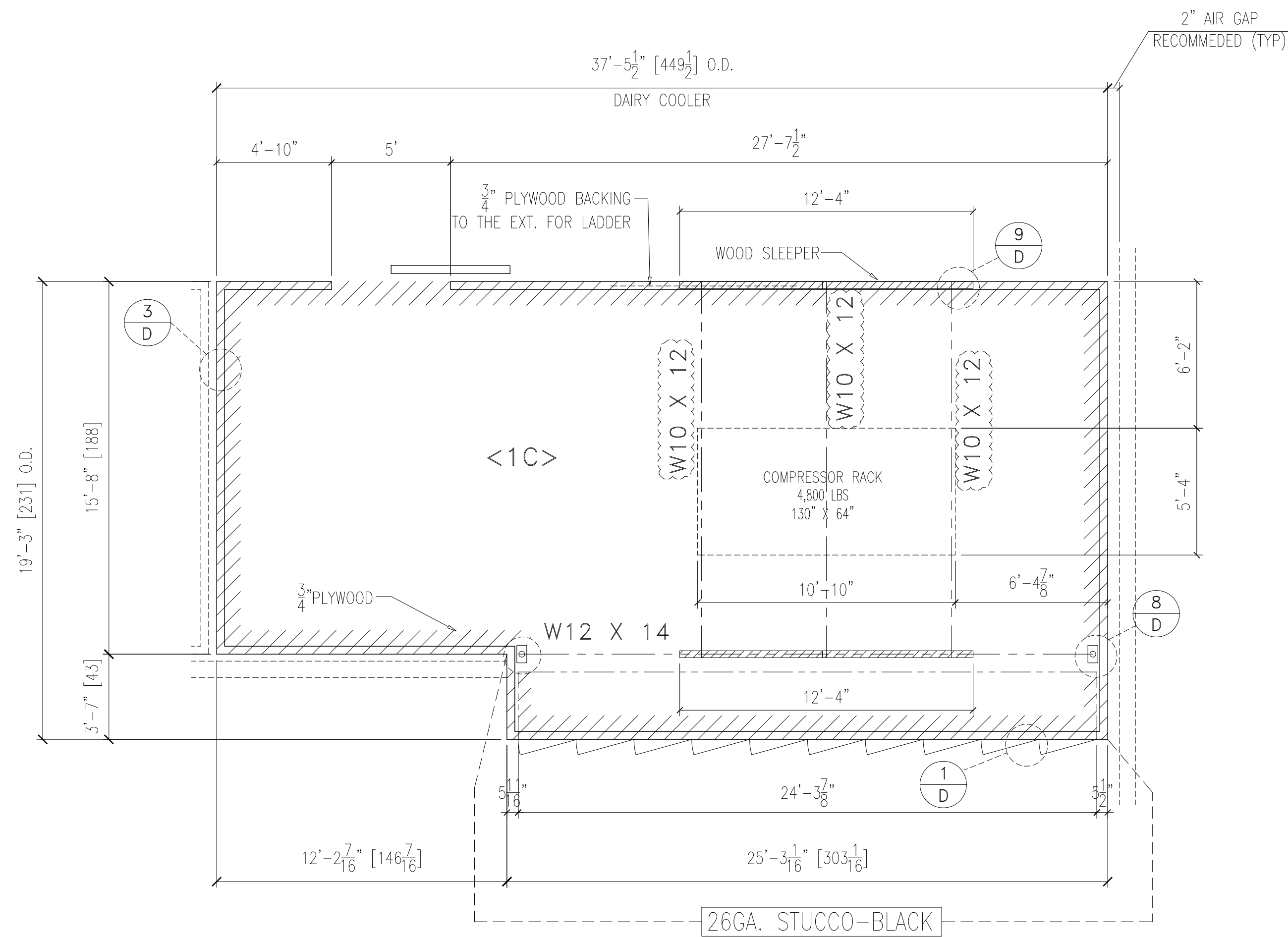
SECTION 2603.4.1.2 COMPLIANCE DATA	
COMPOSITE PANEL- SURFACE BURNING CHARACTERISTICS:	
FLAME SPREAD:	20
SMOKE DEVELOPED:	250-400
CORE FLASH IGNITION TEMPERATURE:	896°F
CORE SELF-IGNITION TEMPERATURE:	914°F
VALUES ARE REPORTED BY UNDERWRITERS LABORATORIES FILE NO. 25285 AND SV16788	
SPRINKLER SYSTEMS ARE UNDER SEPARATE PERMIT	



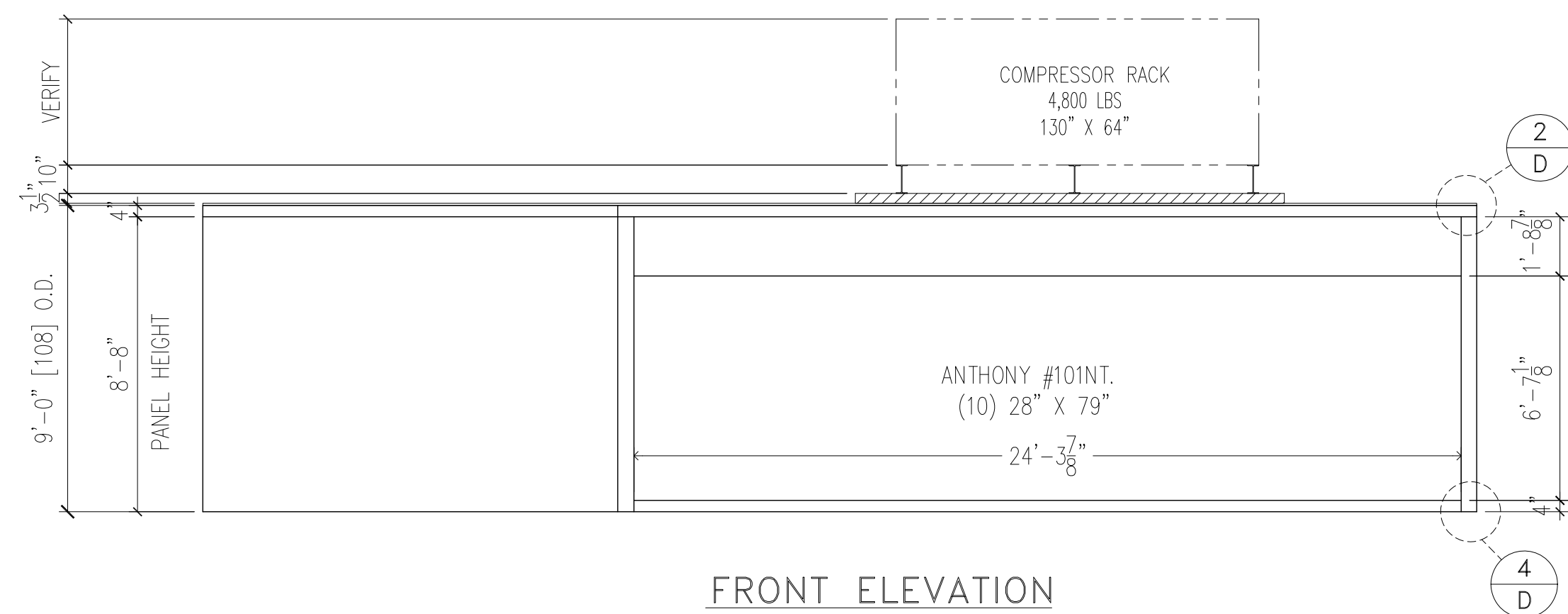
SUBMITTAL DRAWING
 MUST BE SIGNED & RETURNED BY
 TO BE SHIPPED ON.....

NOT APPROVED - REVISE AND RESUBMIT
 APPROVED AS NOTED - MANUFACTURE AS NOTED
 APPROVED AS IS - MANUFACTURE AS DRAWN

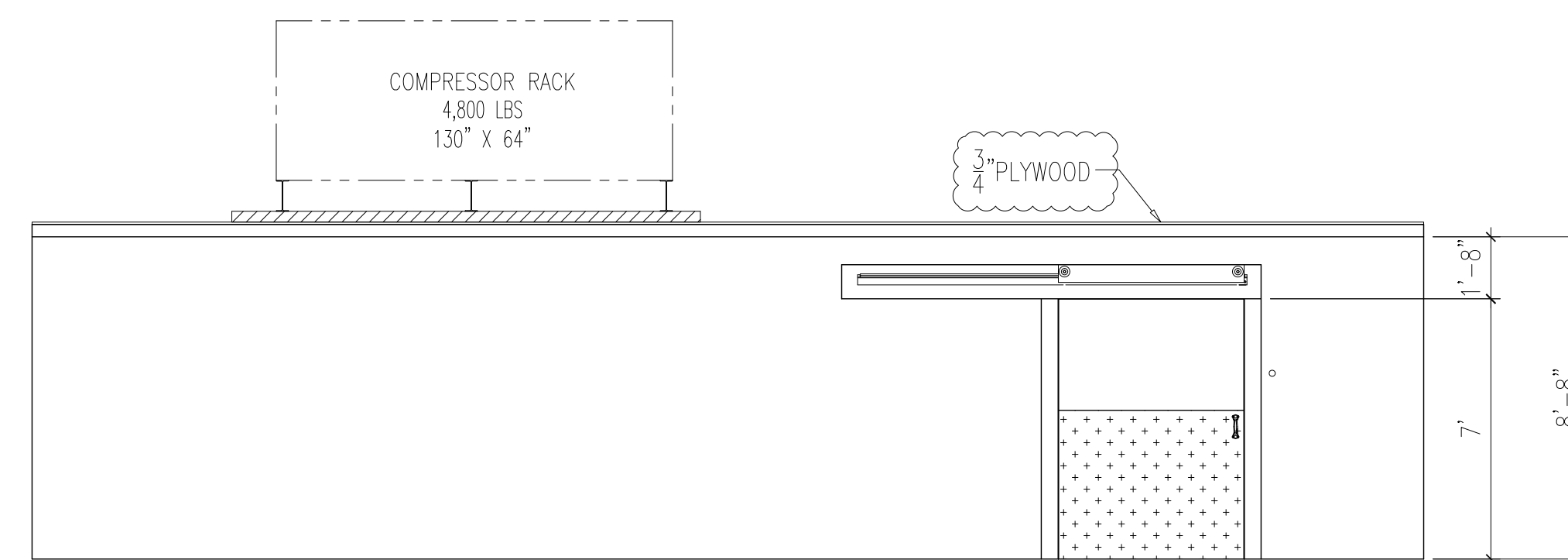
DELIVERY DATE: _____
 DATE _____ SIGN _____



PLAN VIEW



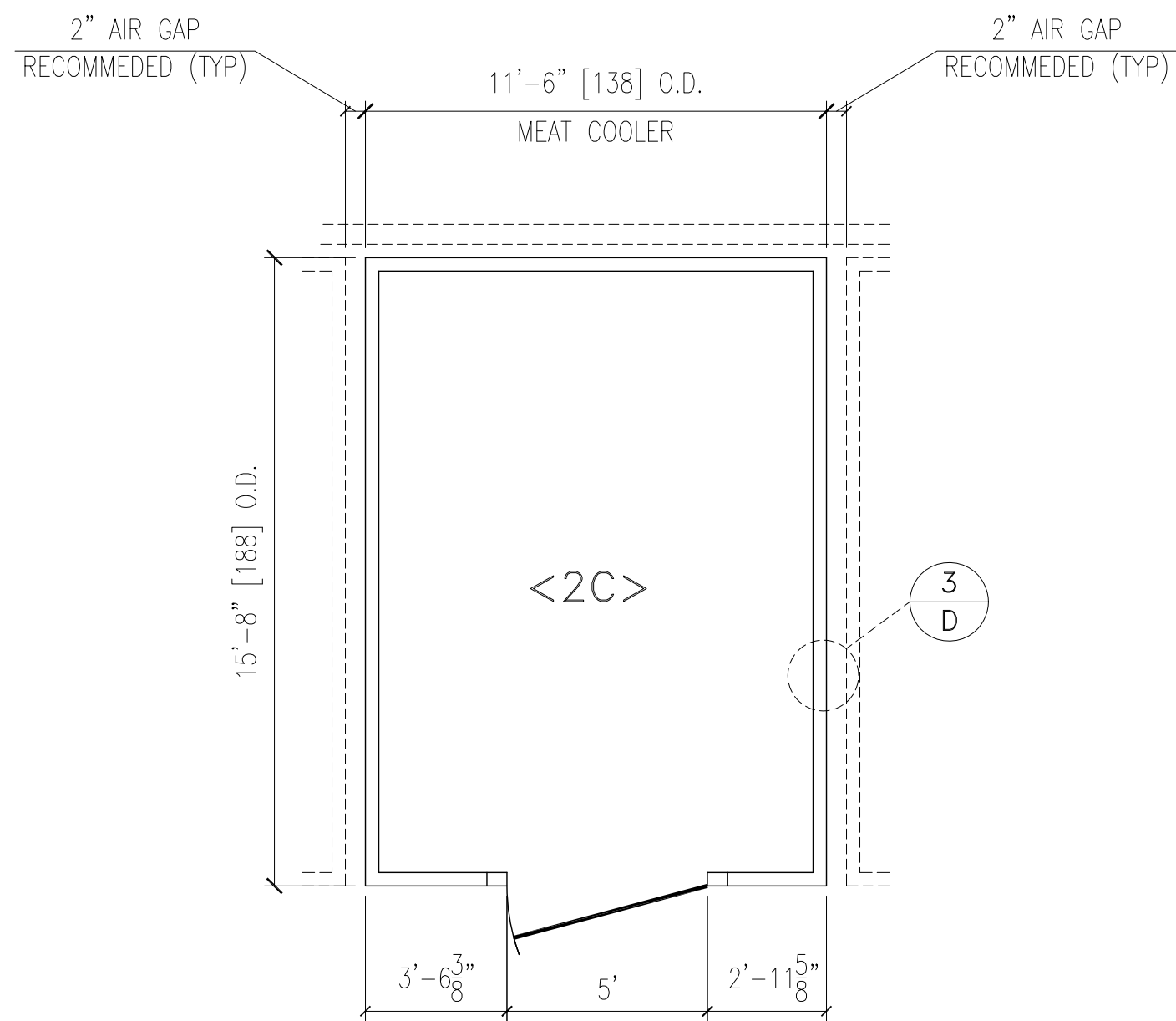
FRONT ELEVATION



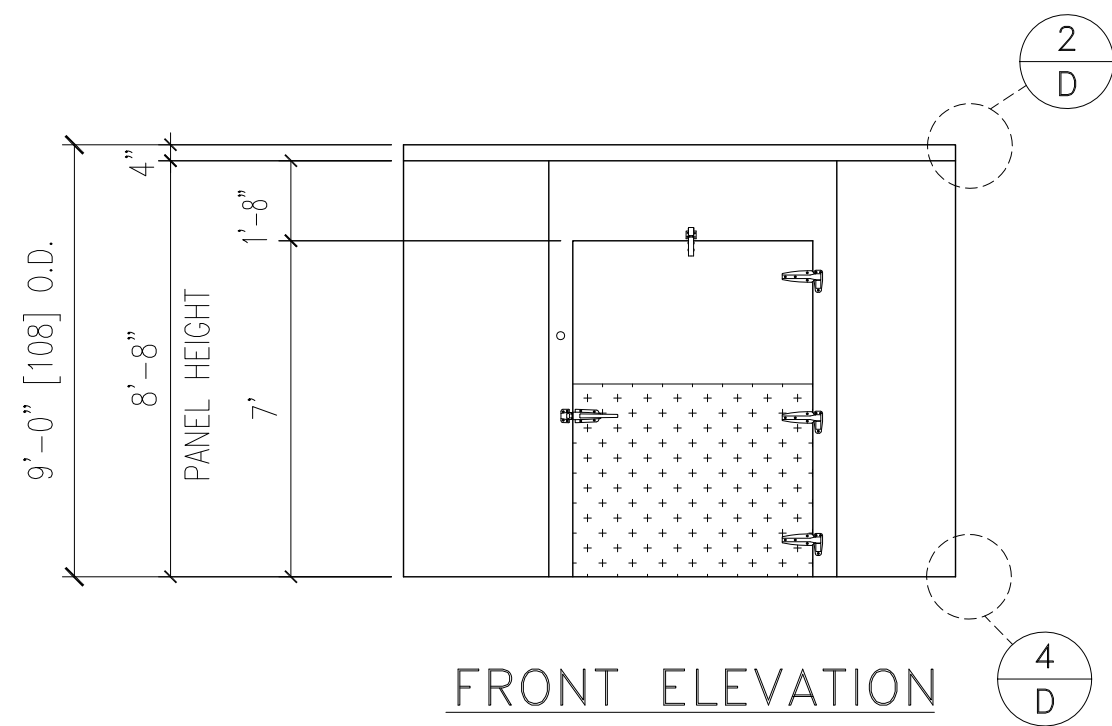
BACK ELEVATION

CUSTOM COOLER PRODUCTS COMPLY WITH THE "R" VALUE REQUIREMENTS OF SECTION 340 OF THE ENERGY POLICY AND CONSERVATION ACT (42 U.S.C. 6311) AND CALIFORNIA TITLE 20 AND TITLE 24.

REV.	DATE	DESCRIPTION	REV. BY
△	05/10/18	UPDATED STRUCTURAL STEEL SUPPORT	JAIME
Custom Cooler Inc.			
420 E. ARROW HIGHWAY SAN DIMAS, CA 91773 TEL: (909) 592-1111 FAX: (909) 599-6223		701B W. MAIN STREET ELKTON, KY 42220 TEL: (270) 632-6266 FAX: (270) 632-6263	
JOB: GROCERY OUTLET #370 US HWY 395 DALLAS, OR		CUSTOMER: GROCERY OUTLET DRAWN BY: JAIME DATE: 05/01/18 SCALE: 1/4"=1'-0"	
INDOOR DAIRY COOLER		DRAWING NO.: 18-0733-1 SHEET 1 OF 4	



PLAN VIEW



FRONT ELEVATION

SPECIFICATIONS

CONSTRUCTION:

WALL: 4" WOOD-FRAME, POLYURETHANE, F-I-P (R-29)
 CEILING: 4" WOOD-FRAME, POLYURETHANE, F-I-P (R-29)

FINISH:

WALL: 26GA. STUCCO-GALVALUM INTERIOR
 26GA. STUCCO-GALVALUM EXTERIOR
 CEILING: 26GA. STUCCO-WHITE INTERIOR
 26GA. STUCCO-GALVALUM EXTERIOR

ACCESSORIES:

- 1 EA. - 60" X 84" HINGED COOLER DOOR
 SELF CLOSING
 16GA. GALV. JAMB
 48"H .100" DT/ALUM. KICKPLATE INT. & EXT.
- 1 EA. - 2" DIAL THERMOMETER
- 1 EA. - 60" X 84" (6" STRIPS) PLASTIC CURTAIN
- 1 EA. - DO NOT WALK STICKER

NOTE:

CAM LOCK CEILING
 THE CEILING IS DESIGNED FOR "NO STORAGE"
 OREGON STICKER
 * ANY FUTURE ROOF/CEILING LID MOUNTED
 EQUIPMENT NOT CURRENTLY SHOWN ON THE
 APPROVED SHOP DRAWINGS SHALL BE COORDINATED
 WITH THE ENGINEER OF RECORD PRIOR TO ANY INSTALLATION, TYP.

SECTION 2603.4.1.2 COMPLIANCE DATA	
COMPOSITE PANEL- SURFACE BURNING CHARACTERISTICS:	
FLAME SPREAD:	20
SMOKE DEVELOPED:	250-400
CORE FLASH IGNITION TEMPERATURE:	896°F
CORE SELF-IGNITION TEMPERATURE:	914°F
VALUES ARE REPORTED BY UNDERWRITERS LABORATORIES FILE NO. 25285 AND SV16788	
SPRINKLER SYSTEMS ARE UNDER SEPARATE PERMIT	



SUBMITTAL DRAWING
 MUST BE SIGNED & RETURNED BY
 TO BE SHIPPED ON.....

NOT APPROVED - REVISE AND RESUBMIT
 APPROVED AS NOTED - MANUFACTURE AS NOTED
 APPROVED AS IS - MANUFACTURE AS DRAWN

DELIVERY DATE: _____
 DATE _____ SIGN _____

CUSTOM COOLER PRODUCTS COMPLY WITH THE "R" VALUE REQUIREMENTS OF SECTION 340 OF THE ENERGY POLICY AND CONSERVATION ACT (42 U.S.C. 6311) AND CALIFORNIA TITLE 20 AND TITLE 24.

REV.	DATE	DESCRIPTION	REV. BY
Custom Cooler Inc. 420 E. ARROW HIGHWAY SAN DIMAS, CA 91773 TEL: (909) 592-1111 FAX: (909) 599-6223			
JOB: GROCERY OUTLET #370 US HWY 395 DALLAS, OR		CUSTOMER: GROCERY OUTLET	
DRAWN BY: JAIME		DRAWING NO.: 18-0733-2	
DATE: 05/18/18		SHEET 2 OF 4	
SCALE: 1/4" = 1'-0"		INDOOR MEAT COOLER	

SPECIFICATIONS

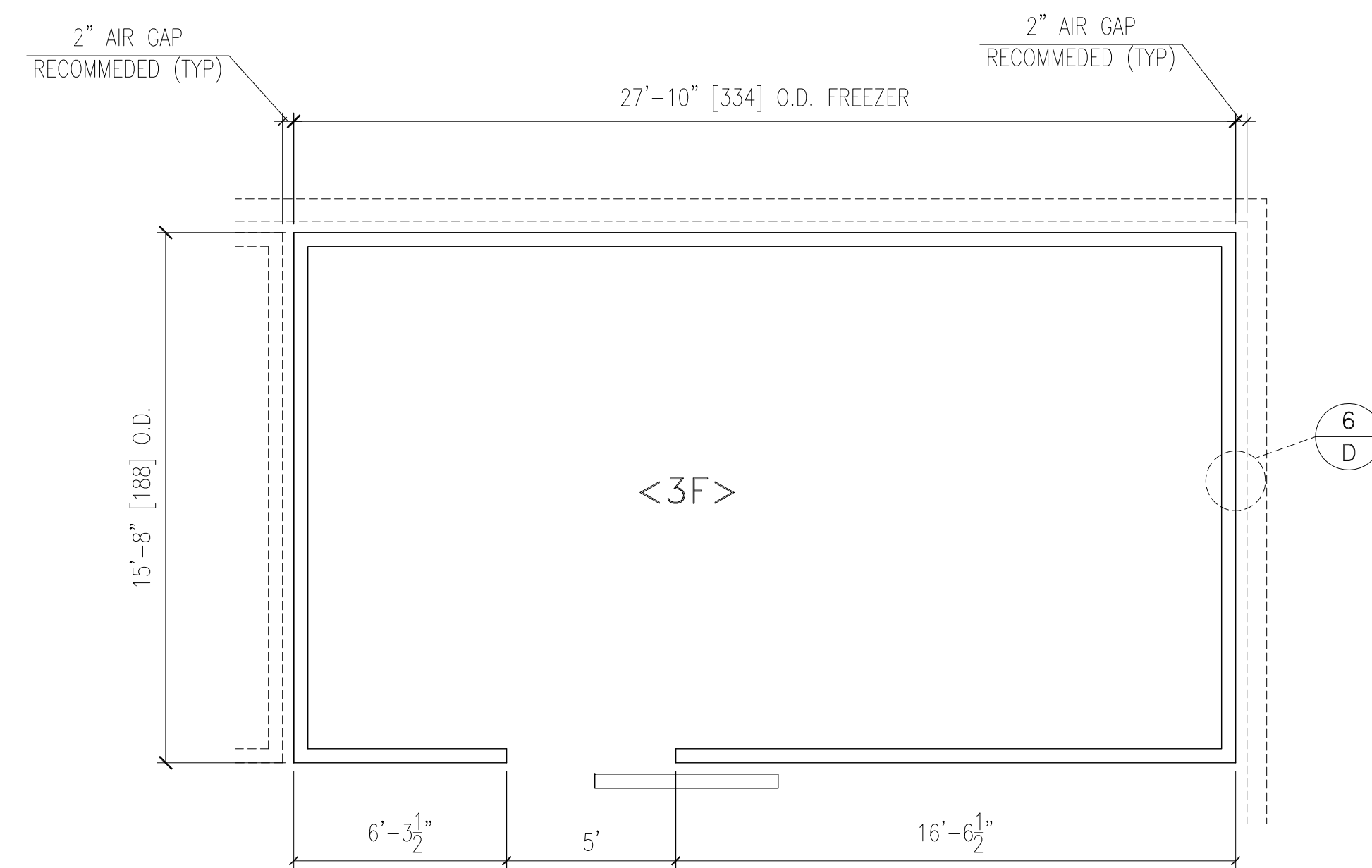
CONSTRUCTION:
 WALL: 5" WOOD-FRAME (T&G), POLYURETHANE, F-I-P (R-41)
 CEILING: 5" WOOD-FRAME (T&G), POLYURETHANE, F-I-P (R-41)

FINISH:
 WALL: 26GA. STUCCO-GALVALUM INTERIOR
 26GA. STUCCO-GALVALUM EXTERIOR
 CEILING: 26GA. STUCCO-WHITE INTERIOR
 26GA. STUCCO-GALVALUM EXTERIOR

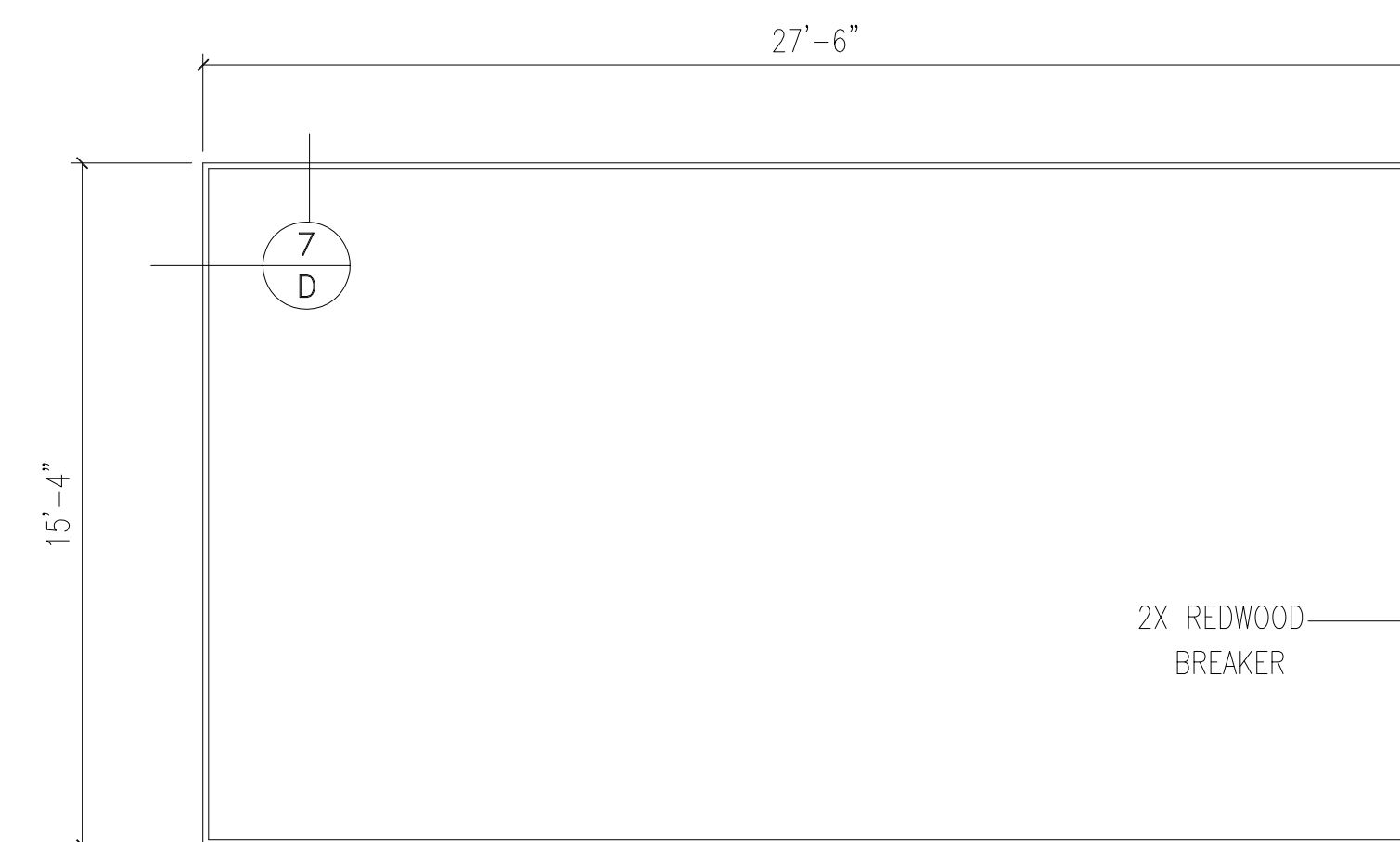
ACCESSORIES:
 1 EA. - 60" X 84" JAMISON RETAIL PRO MANUAL SHS FREEZER DOOR
 16GA. GALV. JAMB
 48"H .100" DT/ALUM. KICKPLATE INT. & EXT.
 1 EA. - 2" DIAL THERMOMETER
 2 EA. - HEATED AIR VENT #1825
 1 EA. - 60" X 84" (6" STRIPS) PLASTIC CURTAIN
 1 EA. - DO NOT WALK STICKER

SUPPLIED BY OTHERS:
 1 LOT - SUB FLOOR INSULATION

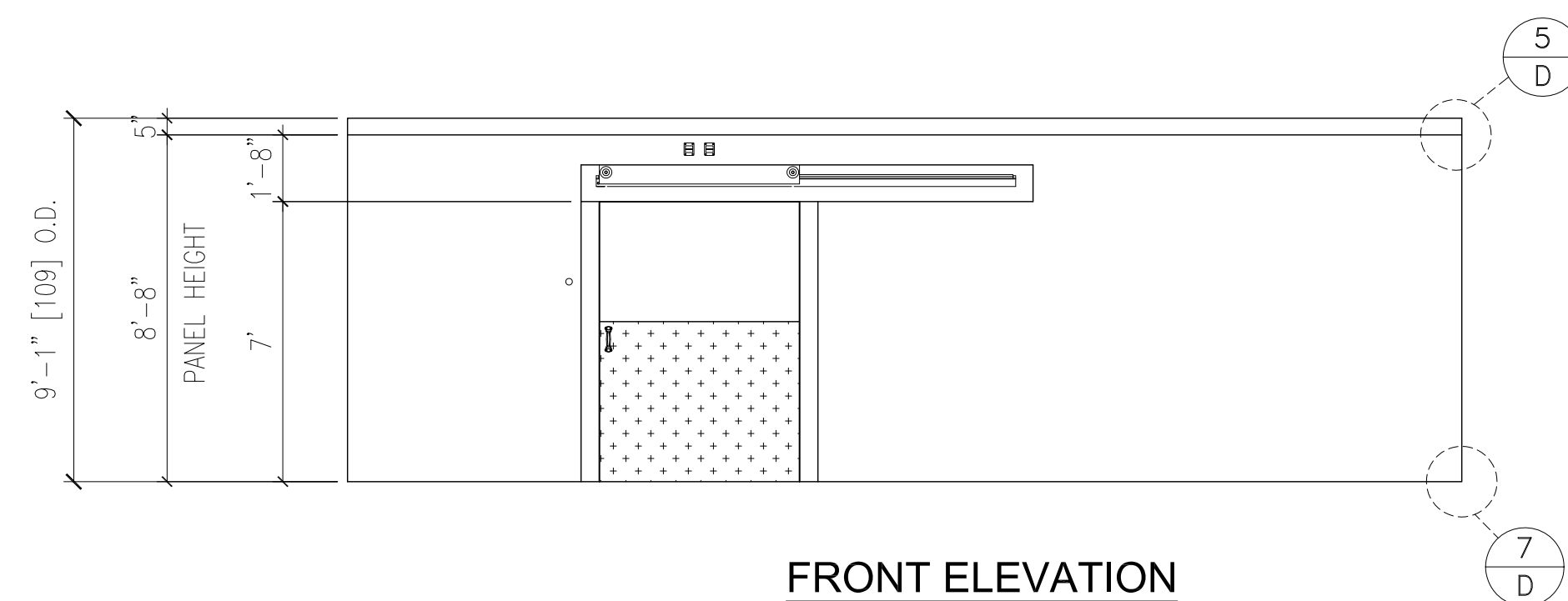
NOTE:
 CAM LOCK CEILING
 THE CEILING IS DESIGNED FOR "NO STORAGE"
 OREGON STICKER
 * ANY FUTURE ROOF/CEILING LID MOUNTED
 EQUIPMENT NOT CURRENTLY SHOWN ON THE
 APPROVED SHOP DRAWINGS SHALL BE COORDINATED
 WITH THE ENGINEER OF RECORD PRIOR TO ANY INSTALLATION, TYP.



PLAN VIEW



DEPRESSION LAYOUT



FRONT ELEVATION

SECTION 2603.4.1.2 COMPLIANCE DATA	
COMPOSITE PANEL - SURFACE BURNING CHARACTERISTICS:	
FLAME SPREAD:	20
SMOKE DEVELOPED:	250-400
CORE FLASH IGNITION TEMPERATURE:	896°F
CORE SELF-IGNITION TEMPERATURE:	914°F
VALUES ARE REPORTED BY UNDERWRITERS LABORATORIES FILE NO. 25285 AND SV16788	
SPRINKLER SYSTEMS ARE UNDER SEPARATE PERMIT	



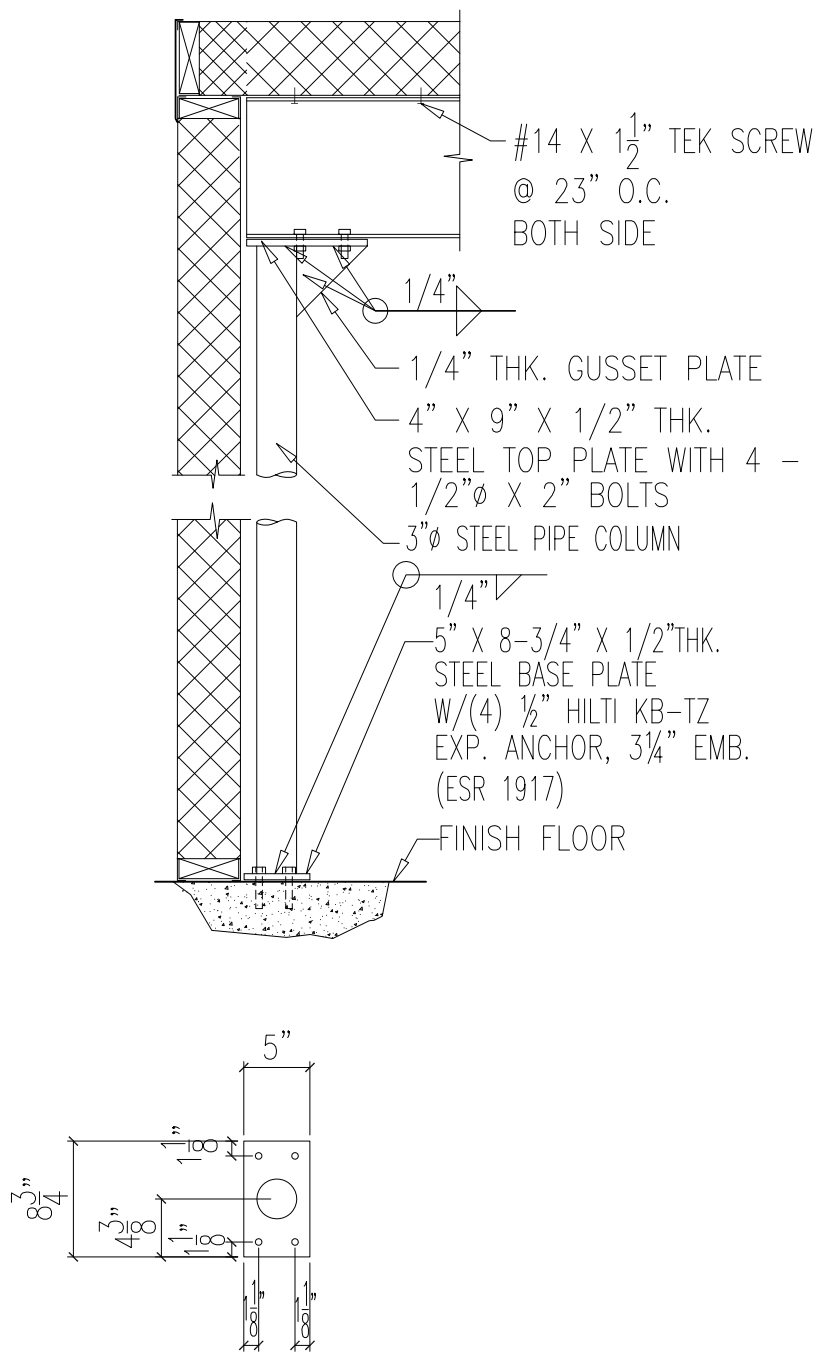
SUBMITTAL DRAWING
 MUST BE SIGNED & RETURNED BY
 TO BE SHIPPED ON

NOT APPROVED - REVISE AND RESUBMIT
 APPROVED AS NOTED - MANUFACTURE AS NOTED
 APPROVED AS IS - MANUFACTURE AS DRAWN

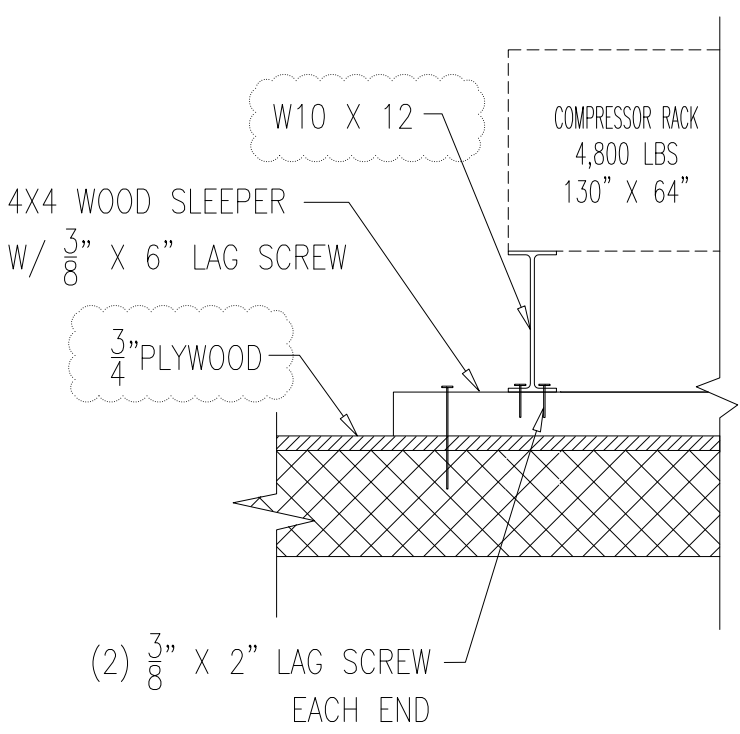
DELIVERY DATE: _____
 DATE _____ SIGN _____

CUSTOM COOLER PRODUCTS COMPLY WITH THE "R" VALUE REQUIREMENTS OF SECTION 340 OF THE ENERGY POLICY AND CONSERVATION ACT (42 U.S.C. 6311) AND CALIFORNIA TITLE 20 AND TITLE 24.

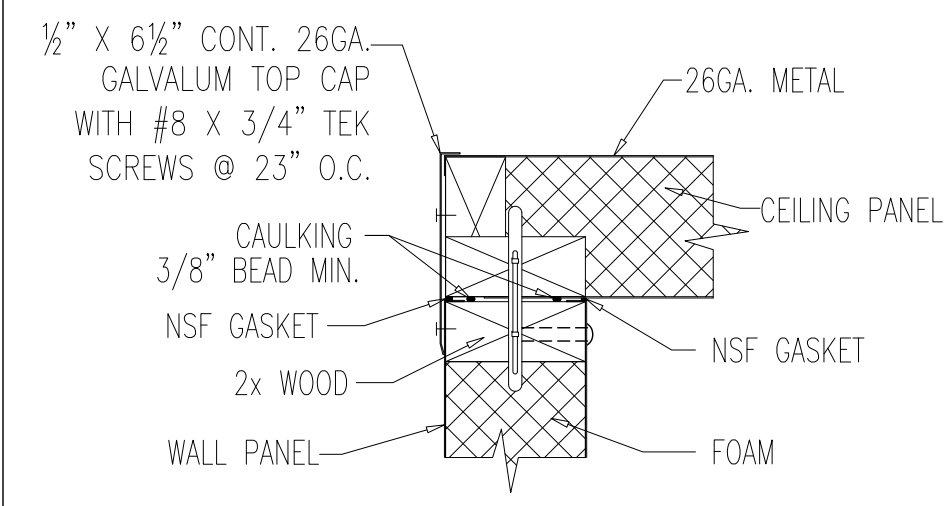
REV.	DATE	DESCRIPTION	REV. BY
420 E. ARROW HIGHWAY SAN DIMAS, CA 91773 TEL: (909) 592-1111 FAX: (909) 599-6223		1005 SIGMAN ROAD NE CONYERS, GA 30013 TEL: (678) 712-5656	
JOB: GROCERY OUTLET #370 US HWY 395 DALLAS, OR INDOOR FREEZER		CUSTOMER: GROCERY OUTLET DRAWN BY: JAIME DATE: 05/01/18 SCALE: 1/4"=1'-0"	
		DRAWING NO.: 18-0733-3 SHEET 3 OF 4	



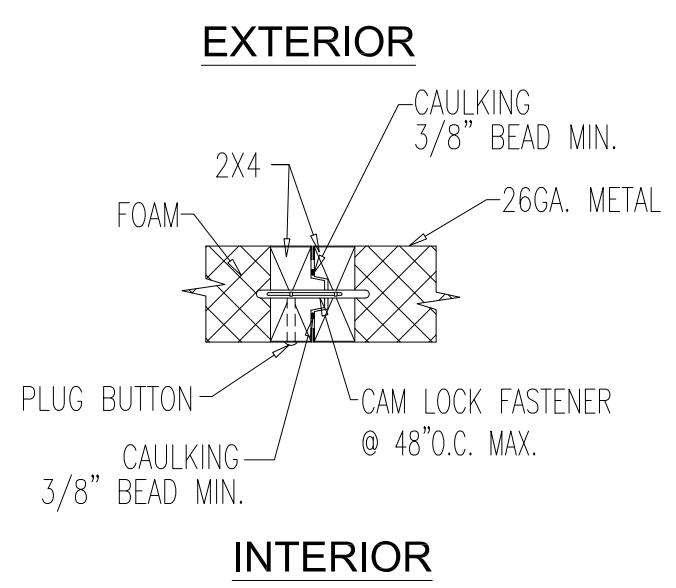
8 STEEL BEAM TO POST



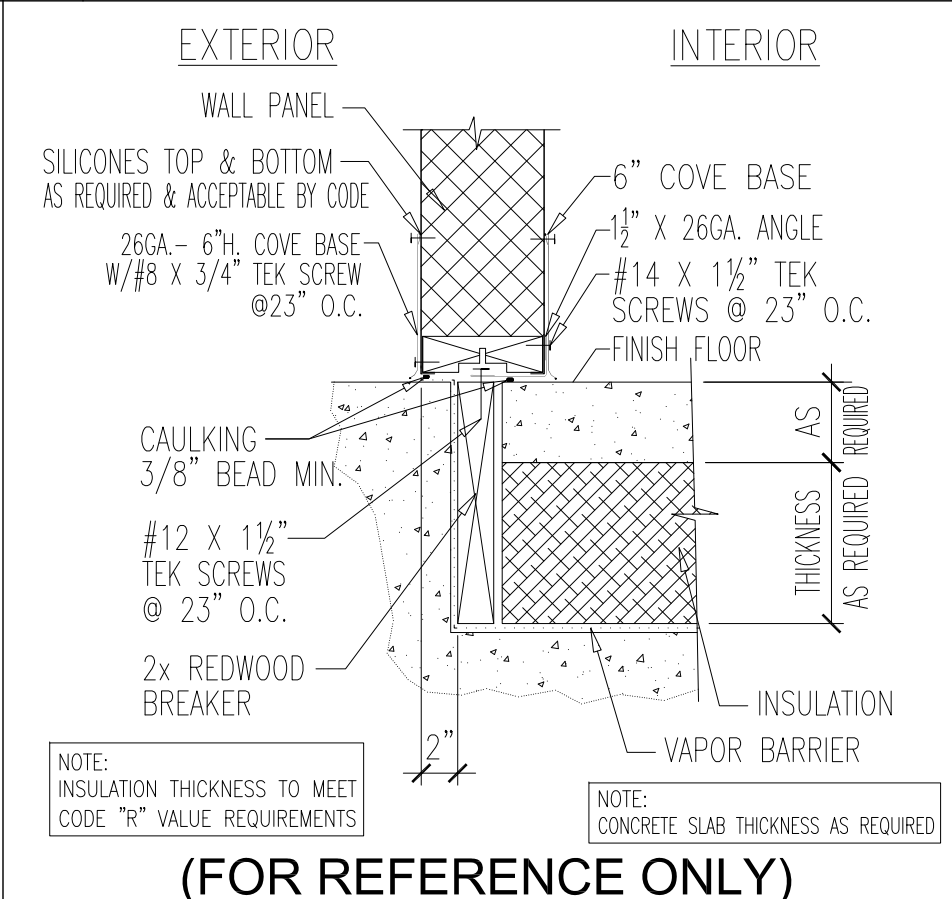
9 UNIT SUPPORT



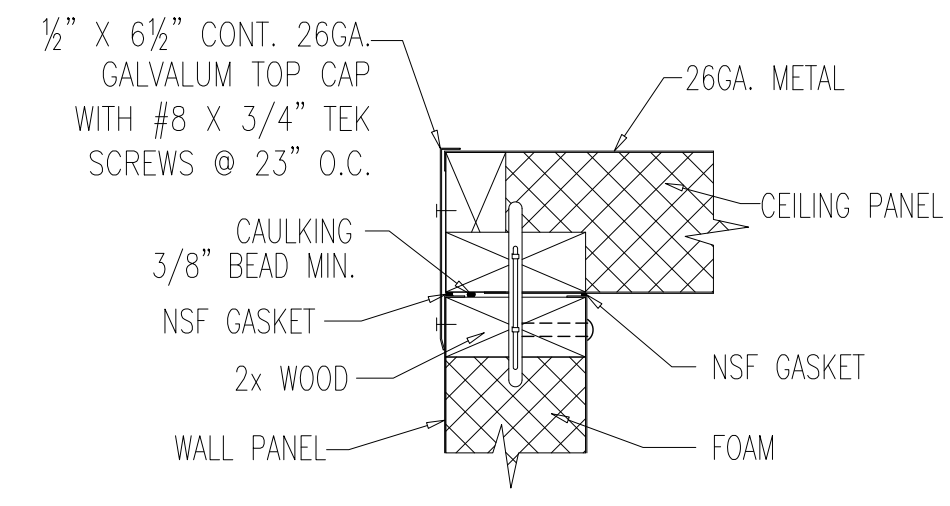
5 CAM LOCK CEILING TO WALL (FREEZER)



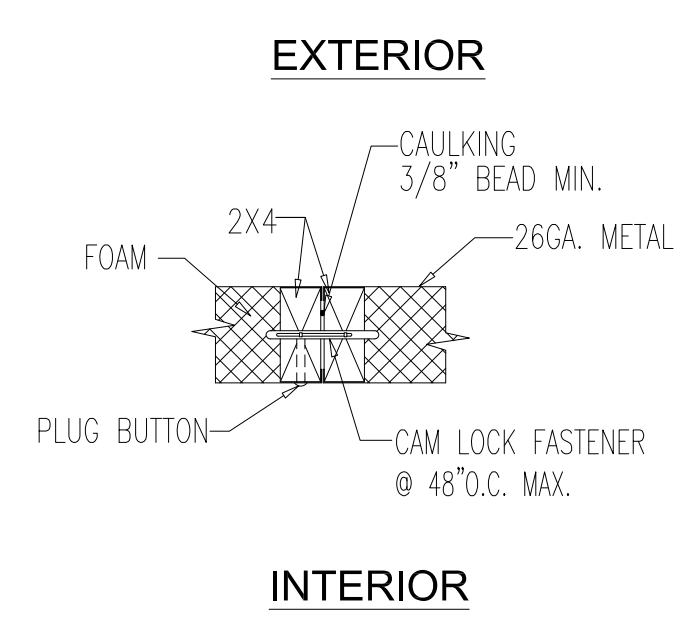
6 PANEL TO PANEL (FREEZER)



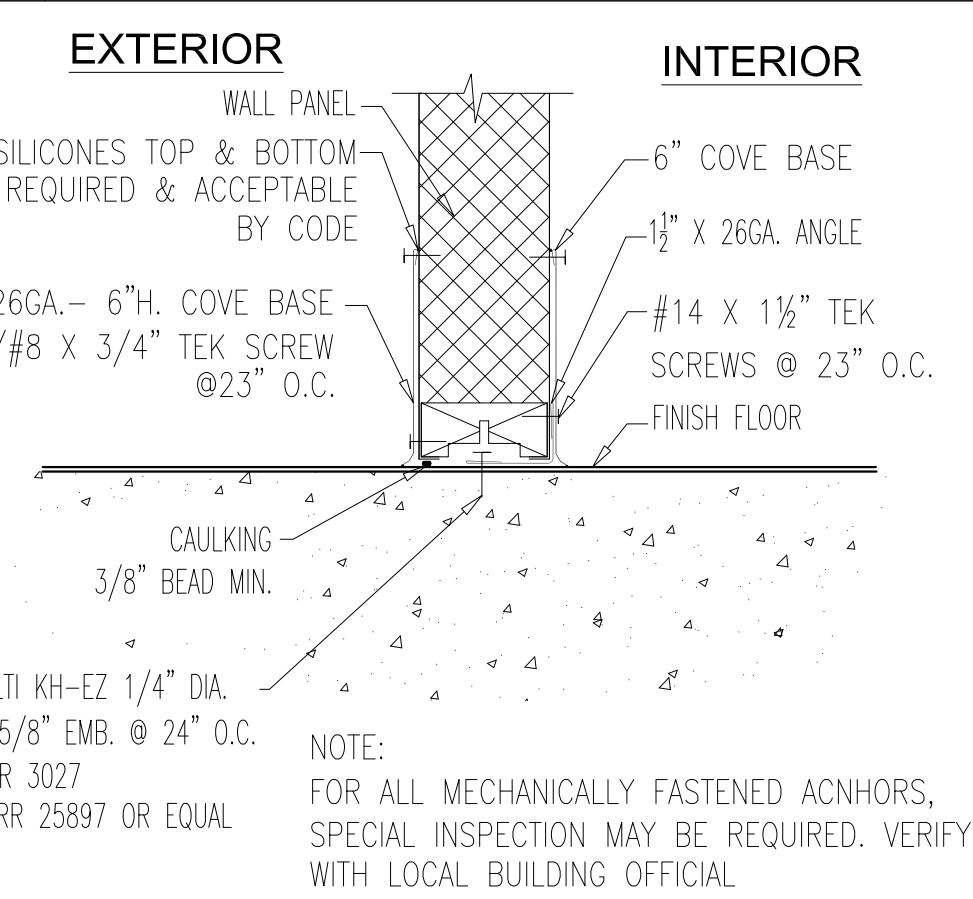
7 WALL TO SUB-FLOOR INSULATION



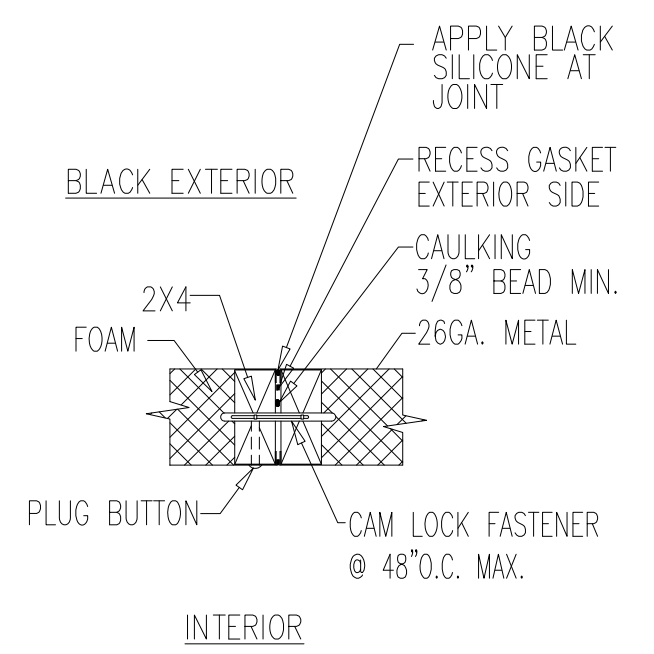
2 CAM LOCK CEILING TO WALL (COOLER)



3 PANEL TO PANEL (COOLER)



4 WALL TO CONCRETE FLOOR (COOLER)



1 WALL TO WALL (BLACK FINISH EXTERIOR)

SUBMITTAL DRAWING
MUST BE SIGNED & RETURNED BY
TO BE SHIPPED ON

NOT APPROVED - REVISE AND RESUBMIT
 APPROVED AS NOTED - MANUFACTURE AS NOTED
 APPROVED AS IS - MANUFACTURE AS DRAWN

DELIVERY DATE: _____
DATE _____ SIGN _____

REV.	DATE	DESCRIPTION	REV. BY
1	05/10/18	UPDATED DETAIL #9	JAIME



420 E. ARROW HIGHWAY SAN DIMAS, CA 91773 TEL: (909) 592-1111 FAX: (909) 599-6223		1005 SIGMAN ROAD NE CONYERS, GA 30013 TEL: (678) 712-5656	
JOB: GROCERY OUTLET #370 US HWY 395 DALLAS, OR		CUSTOMER: GROCERY OUTLET	
DRAWN BY: JAIME		DRAWING NO.: 18-0733-D	
DATE: 05/03/18		SHEET 4 OF 4	
SCALE: NTS		DETAIL	

CUSTOM COOLER PRODUCTS COMPLY WITH THE "R" VALUE REQUIREMENTS OF SECTION 340 OF THE ENERGY POLICY AND CONSERVATION ACT (42 U.S.C. 6311) AND CALIFORNIA TITLE 20 AND TITLE 24.